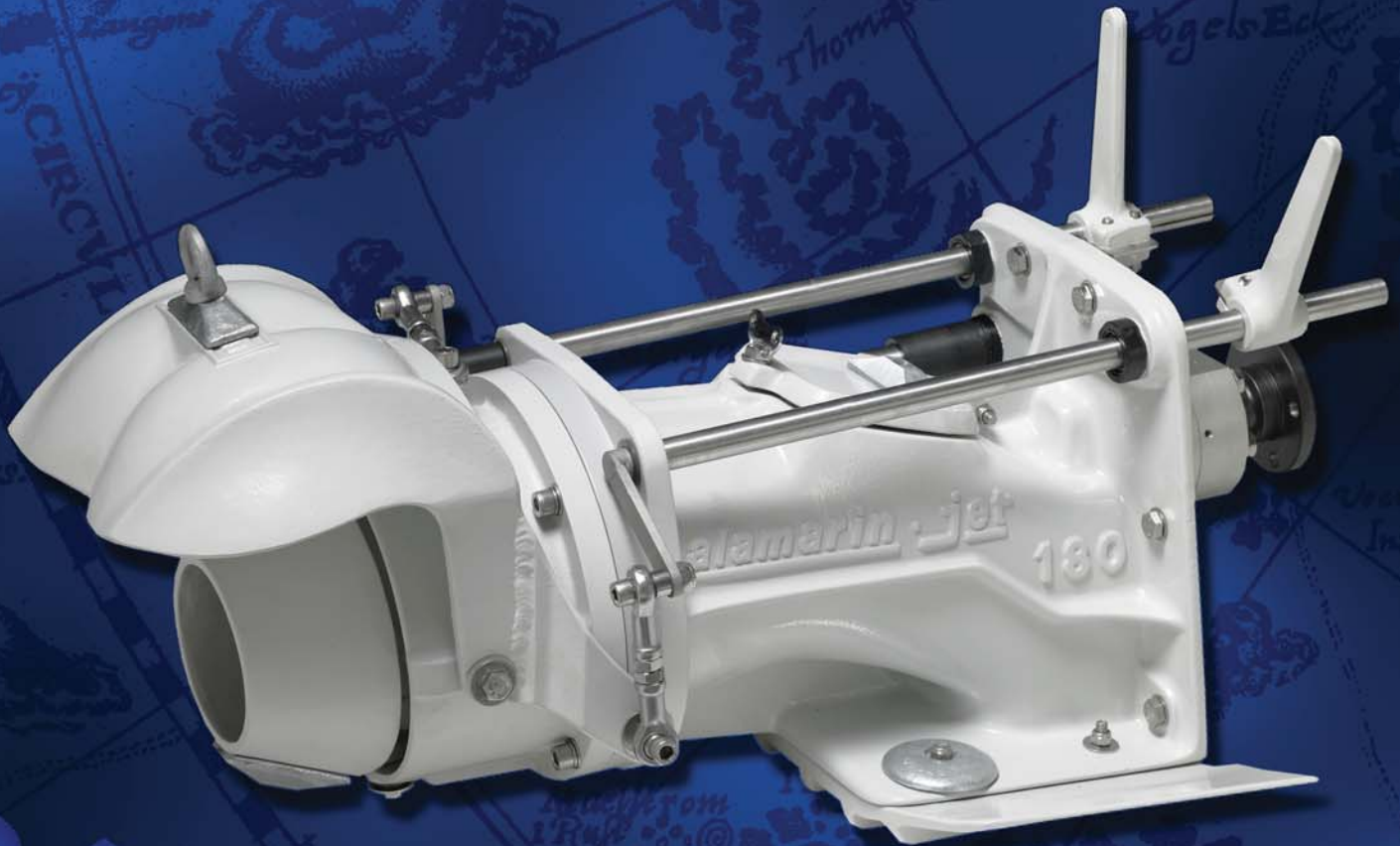


Go with the flow.
ALAMARIN
JET 180/185

Manufacturing water jet propulsion since 1976.

Pump type.....axial flow, single stage
Dry weight.....48 / 50 kg (110 lb)
Boat weight, single jet.....300 - 1700 kg (660 - 3800 lb)
Power range.....max. 110 kW (150 mhp) / 120 kw (163 mhp)
Impeller shaft RPM.....max. 5000 1/min
Impeller diameter.....max. 192 mm (7.6") / 197 mm (7.8")
Reversal control.....electronic
Material.....aluminium, stainless steel



alamarin-jet

Alamarin-Jet Oy - FI-62300 Härmä - Finland
Tel. 00-358-10 774 5260 - Fax. 00-358-10 774 5269

E-mail: sales@alamarinjet.com

www.alamarin-jet.com

