

Through a unique patented design MJP DRB offers a very high performing jet combined with excellent performance and strength confirmed by a unique 5-year warranty.

MJP DRB Waterjets



Features & Benefits

- Double Reverse Bucket – inboard hydraulics
- Duplex stainless steel jet with superior wear strength
- Lowest noise and vibration with floating drive shaft design
- Standard intake of GRP for the best performance, corrosion protection and service life
- Mixed flow jet with minimum blade tip clearance – no wear liner is needed in line of the impeller – for the best available jet performance
- Hydraulic and electronic control options – see MJP designers guide



Description

The MJP DRB jet with a Double Reverse Bucket offers an inboard hydraulic design with superior performance and unmatched service life in for instance Commercial Crafts, Coast Guards, Navy Applications and Yachts.

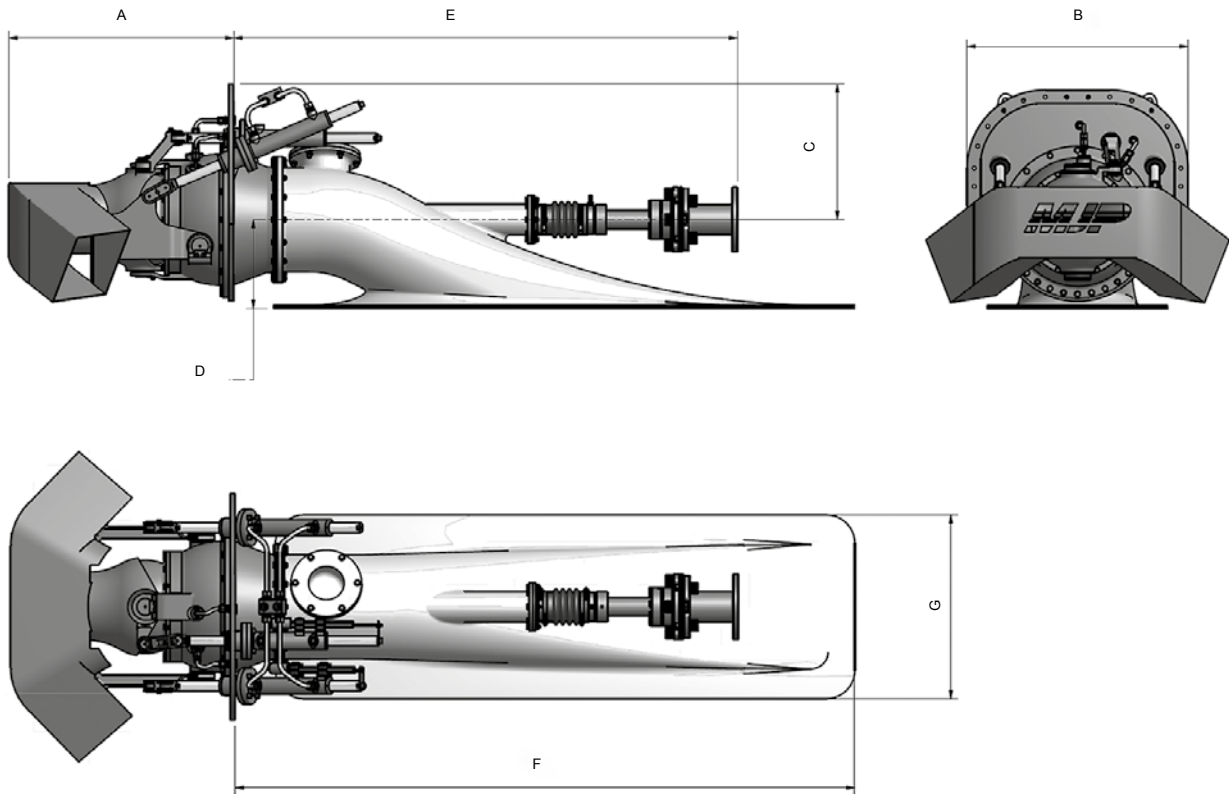
Adapted scope of supply

MJP can offer a package adapted to the vessel and the needs of the customer. MJP customize jet selection, jet installation, shafting, intermediate shaft options, hydraulic and electronic control systems. For more information see MJP Designers Guide and contact a MJP sales office for our jet suggestions.

A force to trust



MJP
MARINE JET POWER



SIZE	kW	A	B	C	D*	E*	F*	G*	Steerable (Kg)	Booster (Kg)	Intake V Litres*
350	1000	800	800	480	315	1690	2200	720	310	170	140
400	1250	1110	800	440	360	1950	2500	820	590	300	250
450	1500	1020	1000	600	405	2210	2800	920	740	350	300
500	2000	1130	1100	550	450	2470	3100	1020	820	460	350
550	2500	1550	1100	600	495	2730	3400	1120	1200	650	400

*Dimensions may vary in each project



16-April-2013

Marine Jet Power AB
SE 748 01 Österbybruk, Sweden
Tel: +46 (0)295 244 250
E-mail: sales@mjp.se

www.marinejetpower.com

Marine Jet Power Limited
Upperfield Rd, Cheltenham, Glos, GL51 9NY, England
Tel: +44 (0)1242 707 900
E-mail: sales@marinejetpower.co.uk

Marine Jet Power Inc.
1110A Claycraft Rd Columbus, Ohio 43230, U.S.A.
Tel: +1 (614) 759 90 00
E-mail: sales@marinejetpower.com