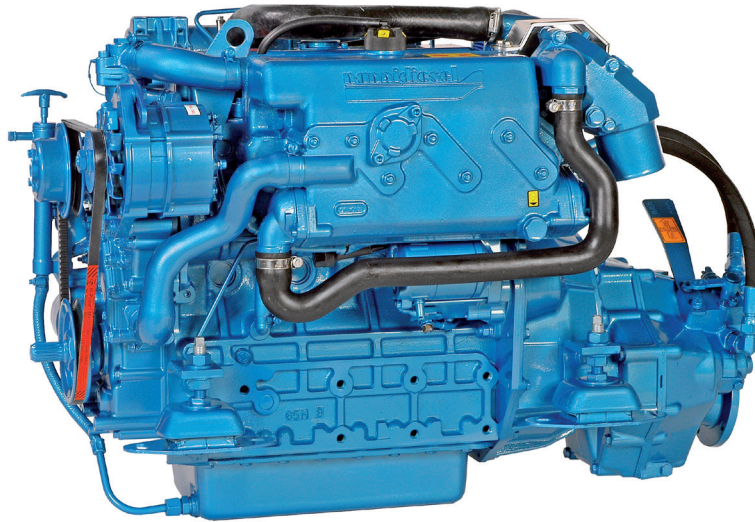


N4.65

Specifications



Power at crankshaft	43.4 kW [59 hp]
Displacement	2.434 l [148.5 in ³]
Configuration	4 cylinders in line
Operation type	4 stroke Diesel
Bore & Stroke	87 x 102.4 mm [3,43 x 4.03 in]
Compression ratio	23:1
Rated speed	2700 rpm
Idling speed	850 rpm
Peak torque	168 Nm
Peak torque speed	1800 rpm
Dry weight with TM345A	248 kg [546.75lbs]

Engine base	Kubota
Fuel system	Indirect E-TVCS (Three Vortex Combustion System)
Air intake	Turbocharged
Cooling	Closed cooling with heat exchanger
Max mounting angle	7° Front up 7° Front down
Alternator	12 Volt 120 Amp
Rating	M4
Emission compliance	IMO Annex VI Compliant RCD2013/53/EU BSO2

N4.65

43.4 kW [59 hp] at 2700 rpm

TECHNICAL DESCRIPTION

Engine block

- 4 Cylinders in line
- 4 Valves per cylinder
- Twin camshaft (DOHC)
- Watercooled exhaust manifold

Fuel system

- Common rail fuel injection system
- Fuel filter

Lubrication system

- Freplacable full-flow oil filter
- Oil dipstick

Cooling system

- Closed cooling with heat exchanger
- Gear driven self-priming raw water pump
- Coolant circulating pump
- Water cooled exhaust elbow

Electrical system & Instrumentation

- 12V / 120A alternator
- 12V electrical system
- Complete instrumentation including key switch and alarms
- Extension cable harness with plug-in connection

Air intake

- Turbocharged

Other features

- Flexible engine mounts
- Internal balancers
- Single side serviceability

Optional systems & accessories

- Keel cooling adaptation
- Dry exhaust elbow
- Complete marine propulsion systems
- Marine transmission adaptation kits
- Throttle and shift controls
- Additional instrumentation, Flying bridge extension harness
- Rigid engine mounting
- Power take off
- Type of approval

RATINGS

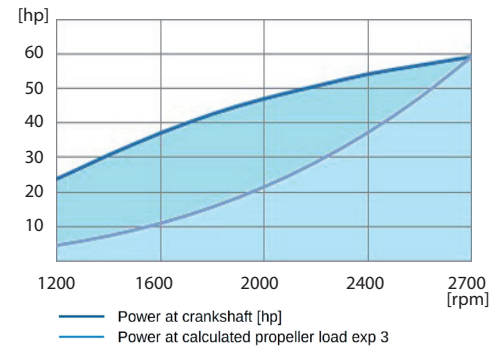
- Up to 3000 hours per year
- Load factor up to 40%
- Full power for no more than 1 hour out of each 12 hours of operation. The remaining time must be at, or below cruising speed

TRANSMISSIONS

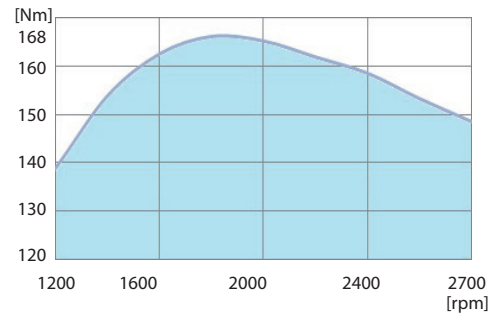
- Shaft line
- Sail Drive
- Contact your Nanni representative for more details and availability about transmissions types and models range

PERFORMANCE CURVES

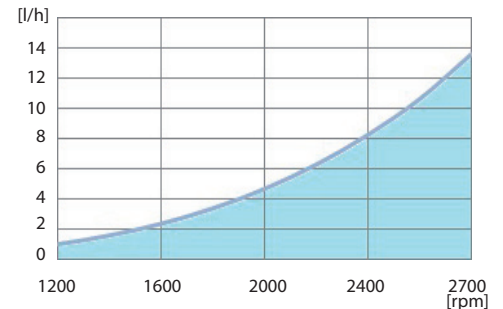
Power at crankshaft



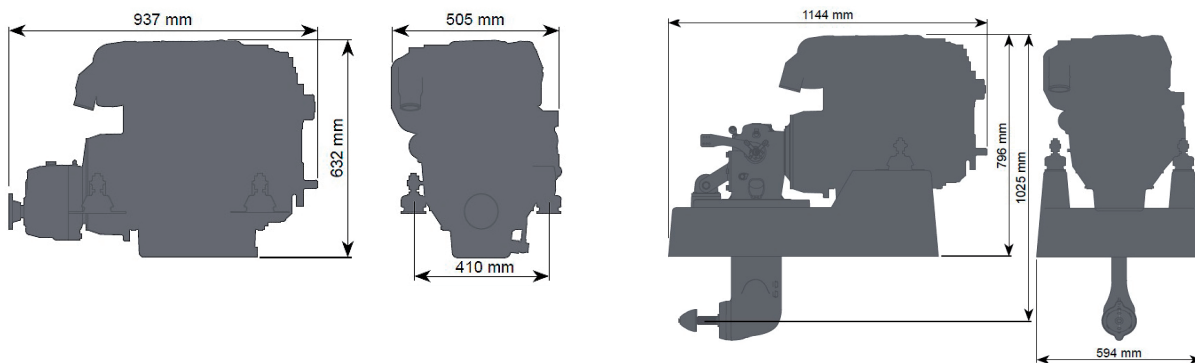
Torque at crankshaft



Fuel consumption



DIMENSIONS



Nanni Industries S.A.S. France

11, Avenue Mariotte - Zone Industrielle
33260 La Teste - France
Tel: +33 (0)5 56 22 30 60
Fax: +33 (0)5 56 22 30 79

Nanni Trading S.R.L

Via Degli Olmetti, 5/B
00060 Formello (RM) - Italia
Tel: +39 06 30 88 42 51/52/53
Fax: +39 06 30 88 42 54

Technical data according to ISO 8665. Specifications are subject to change without notice. Images and illustrations may show non standard equipments. All combination of equipment & accessory are not available.
20161209A ENG