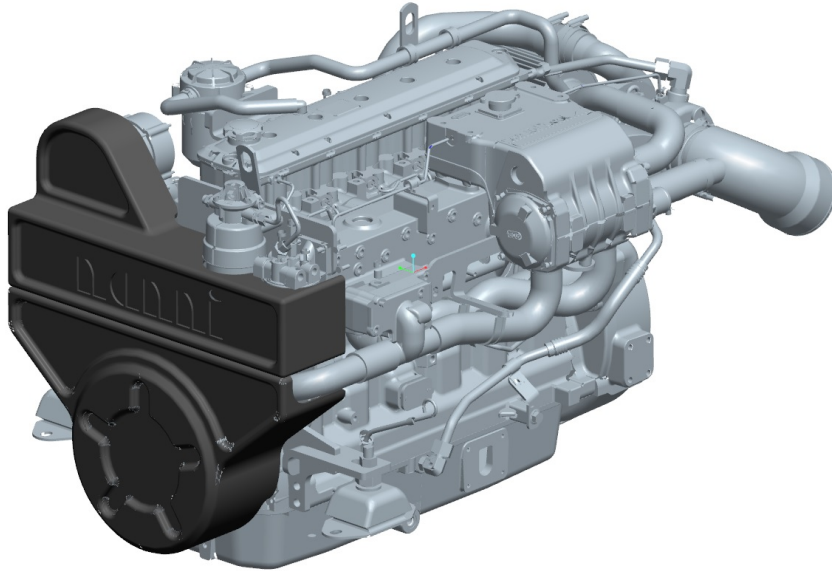


# N6.405 CR2

## Specifications



<b>Power at crankshaft</b>	298 kW [405 hp]	<b>Engine base</b>	John Deere
<b>Displacement</b>	6.8 l [414 in <sup>3</sup> ]	<b>Fuel system</b>	Direct injection High pressure Common Rail Electronically controlled
<b>Configuration</b>	6 cylinders in line 4 valves per cylinder	<b>Air intake</b>	Turbocharged Air-to-seawater aftercooler
<b>Operation type</b>	4 stroke Diesel	<b>Cooling</b>	Closed cooling with heat exchanger
<b>Bore &amp; Stroke</b>	106.4 x 127 mm [4.19 x 5 in]	<b>Mounting angle</b>	12° Front up 0° Front down
<b>Compression ratio</b>	16.3:1	<b>Alternator</b>	24 Volt 50 Amp
<b>Rated speed</b>	2800 rpm	<b>Rating</b>	M5
<b>Idle speed</b>	600 rpm	<b>Emission compliance</b>	IMO Marpol Annex VI NRMM (97/68/EC) Tier 3 EPA marine Tier 3
<b>Peak torque</b>	1230 Nm		
<b>Peak torque speed</b>	2200 rpm		
<b>Dry weight</b>	735 kg [1620 lb]		

# N6.405 CR2

298 kW [405 hp] @ 2800 rpm

## TECHNICAL DESCRIPTION

### Engine block

- Replaceable wet-type cylinder liners
- 4 valves per cylinder
- Watercooled exhaust manifold

### Fuel system

- Primary & secondary fuel filter
- Fuel heater
- Common Rail fuel injection system

### Lubrication system

- Replaceable full-flow oil filter
- Oil dipstick
- Oil cooler

### Cooling system

- Closed cooling with heat exchanger
- Gear driven self-priming raw water pump
- Coolant circulating pump
- Water cooled exhaust elbow

### Electrical system & Instrumentation

- 24V 50A alternator
- 24 Volt starter motor
- Complete instrumentation including key switch and alarms
- Extension cable harness with plug-in connection

### Air intake

- Water cooled turbocharger
- Air-to-seawater aftercooler

### Other features

- Flywheel SAE 3
- Damper pulley
- Flexible engine mounting

### Optional equipment & accessories

- Keel cooling adaptation
- Dry exhaust elbow
- Complete marine propulsion systems
- Marine transmission adaptation kits
- Throttle and shift controls
- Additional instrumentation, Flying bridge extension harness
- Rigid engine mounting
- Power take off

## RATING

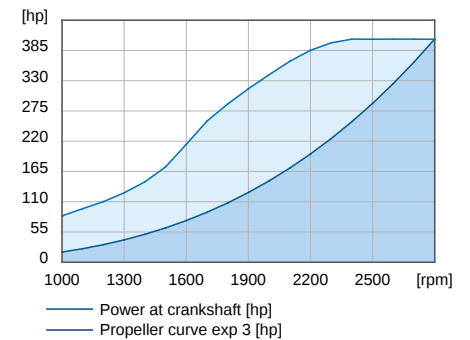
- Up to 1000 annual operating hours
- Load factor up to 35%
- Full power for no more than 30 minutes out of each 8 hours of operation. The remaining operation time must be at or below cruising speed

## TRANSMISSIONS

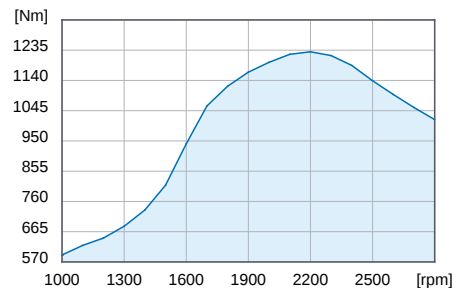
Contact your local dealer for more details and availability for transmission model and type.

## PERFORMANCE CURVES

### Power at crankshaft

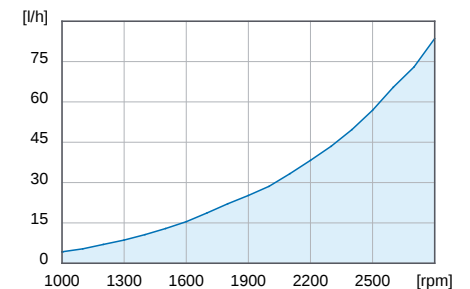


### Torque at crankshaft

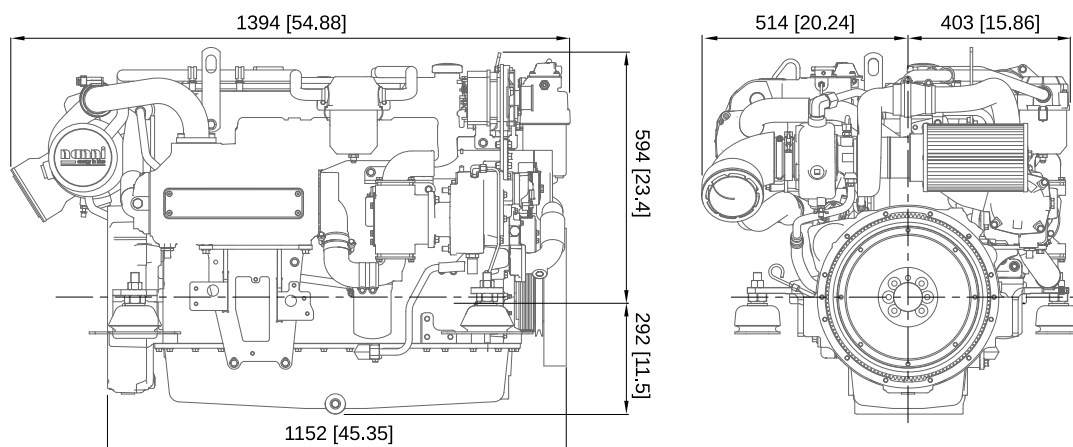


### Fuel consumption

At calculated propeller load exp 3



## DIMENSIONS BOBTAIL



### Nanni Industries S.A.S. France

11, Avenue Mariotte - Zone Industrielle  
33260 La Teste - France  
Tel: +33 (0)5 56 22 30 60  
Fax: +33 (0)5 56 22 30 79

### Nanni Trading S.R.L

Via Degli Olmetti, 5/B  
00060 Formello (RM) - Italia  
Tel: +39 (0)6 30 88 42 51/52/53  
Fax: +39 (0)6 30 88 42 54

Technical data according to ISO 8665. Specifications are subject to change without notice. Images and illustrations may show non standard equipments. All combination of equipment & accessory are not available.

210715-ENG