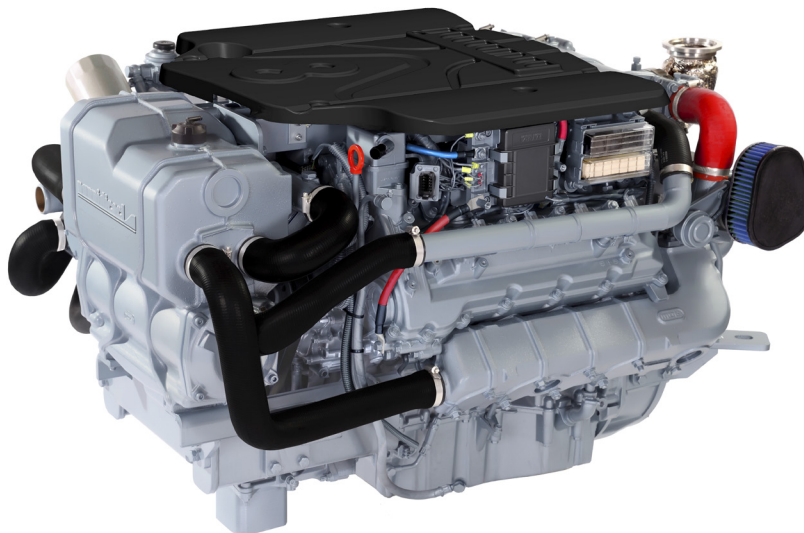


# T8V.320

## Specifications



Power at crankshaft	235 kW [320 hp]
Displacement	4.5 l [272 in <sup>3</sup> ]
Configuration	8 cylinders V design 90° 4 valves per cylinder
Operation type	4 stroke Diesel
Bore & Stroke	86 x 96 mm [3.39 x 3.78 in]
Compression ratio	15.8 : 1
Rated speed	3800 rpm
Idle speed	550 rpm
Peak torque	745 Nm
Peak torque speed	2500 rpm
Dry weight	435 kg [959 lbs]

Engine base	Toyota
Fuel system	Direct Injection High pressure Common Rail Electronically controlled
Admission	Twin turbocharger
Cooling	Closed cooling with heat exchanger
Mounting angle	7° Front up 7° Front down
Alternator	12 Volt 120 Amp
Rating	M6
Emission compliance	EPA marine Tier 3 RCD2 2013/53/EU

# T8V.320

235 kW [320 hp] at 3800 rpm

## TECHNICAL DESCRIPTION

### Engine block

- 8 Cylinders V design 90°
- 4 Valves per cylinder
- Dual Overhead camshafts (DOHC)
- Water cooled exhaust manifold
- Internal balancers

### Fuel system

- Common Rail fuel injection system
- Fuel filter with hand primer
- Integrated fuel cooler

### Lubrication system

- Replaceable full-flow oil filter
- Oil dipstick
- Transmission oil cooler

### Cooling system

- Closed cooling with heat exchanger
- Gear driven self-priming raw water pump
- Coolant circulating pump
- Water cooled exhaust elbow

### Electrical system & Instrumentation

- 12 V / 120 A alternator
- 12 V Electrical system
- Complete instrumentation including key switch and alarms

### Air intake

- Twin turbocharger

### Other features

- Flexible engine mounting

### Optional equipment & accessories

- Complete marine propulsion systems
- Marine transmission adaptation kits
- Throttle and shift controls
- Additional instrumentation, Flying bridge extension harness
- Complete fuel systems
- Complete exhaust systems

### Rating

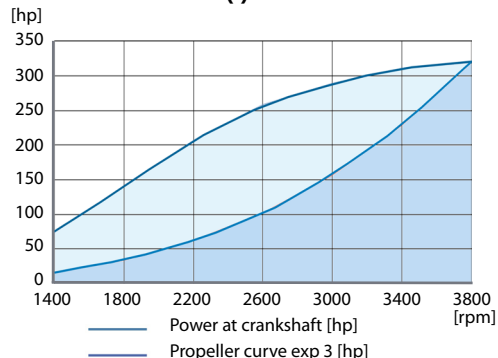
- Up to 500 annual operating hours
- Load factor up to 35%
- Full power for no more than 30 minutes out of each 8 hours of operation. The remaining operation time must be at or below cruising speed

## TRANSMISSIONS

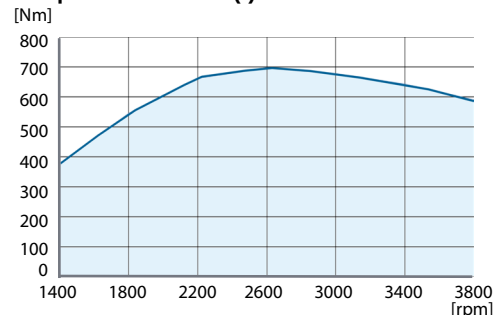
- Contact your local dealer for more details and availability for transmission model and type

## PERFORMANCE CURVES

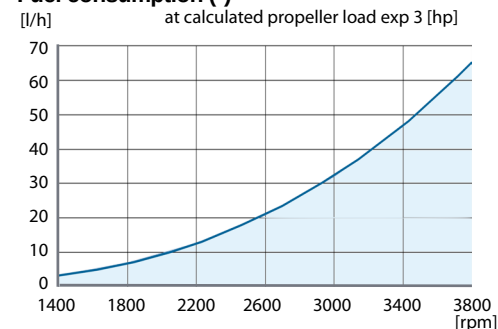
### Power at crankshaft (\*)



### Torque at crankshaft (\*)

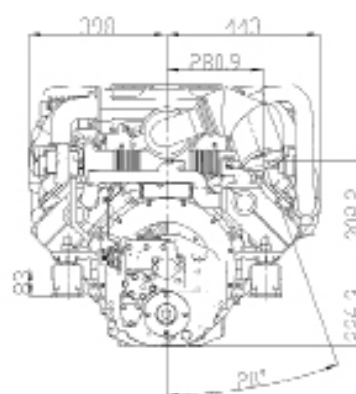
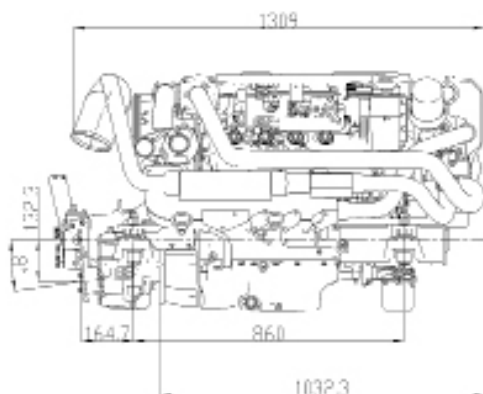


### Fuel consumption (\*)



(\*) : subject to modifications

## DIMENSIONS



**Nanni Industries S.A.S. France**  
11, Avenue Mariotte - Zone Industrielle  
33260 La Teste - France  
Tel: +33 (0)5 56 22 30 60  
Fax: +33 (0)5 56 22 30 79

**Nanni Trading S.R.L**  
Via Degli Olmetti, 5/B  
00060 Formello (RM) - Italia  
Tel: +39 06 30 88 42 51/52/53  
Fax: +39 06 30 88 42 54

Spécifications selon ISO 8665. Les spécifications peuvent changer sans préavis. Les images et schémas peuvent représenter des éléments non-standards. Toutes les combinaisons d'équipements ne sont pas disponibles.  
06-2017-A FRA