

Type W30, W40



STRUCTURAL FEATURES:

- Two staged, vertical construction with two-throw crankshaft, trunk pistons, exchangeable, dry cylinder liners

VALVES:

- Combined suction and pressure valves for both stages

WATER COOLING

INTERCOOLER AND AFTERCOOLER:

- Built-in tubular coolers

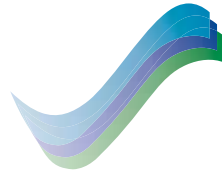
FORCE FEED LUBRICATION:

- Gear pump directly driven by the crankshaft
- Oil pressure control by means of pressure gauge and pressure switch
- Oil level inspection glass

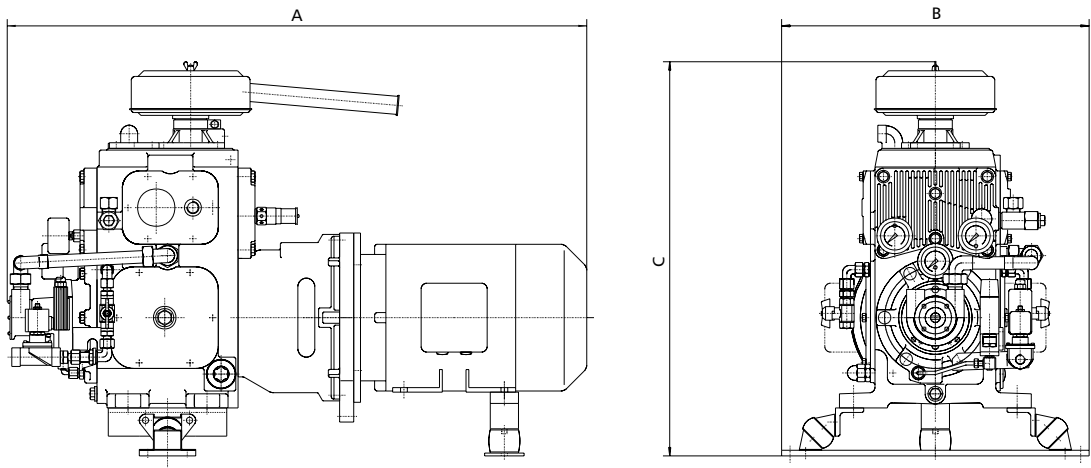
BEARINGS:

- **Crankshaft (pump):** Slide bearings
- **Crankshaft (flywheel):** Roller bearings
- **Connecting rod:** Slide bearings
- **Wrist pin 1st stage:** Slide bearings
- **Wrist pin 2nd stage:** Roller bearings





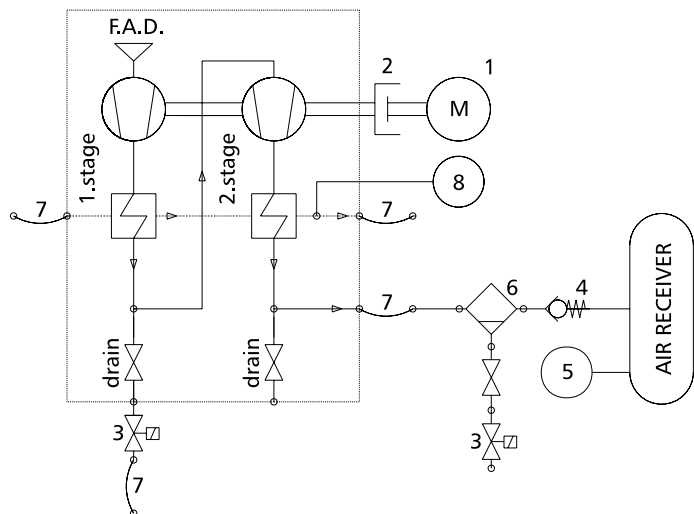
Type W30, W40



Type	Cylinders	Stage	Speed r.p.m	F.A.D m ³ /h	Power kW	Weight incl. e-motor approx. kg	Dimensions		
							A	B	C
W30	2	2	1150	23.2	4.8	230	980	545	700
			1450	28.7	6.1	230	980	545	700
			1750	33.5	7.5	230	980	545	700
W40	2	2	1150	31	6.3	260	1055	545	700
			1450	38.5	8.2	230	980	545	700
			1750	47	10	230	980	545	700

All data apply to a final pressure of 30 bar. The right for alteration of specification and data to incorporate improvements in design is reserved.

- Motor ①
- Flywheel and coupling ②
- Solenoid valve for draining ③
- Non-return valve ④
- Pressure switch ⑤
- Oil and water separator ⑥
- Flexible hoses ⑦
- Cooling water temperature control switch ⑧



Illustrations, technical data, weights and dimensions are subject to alteration without previous notice.