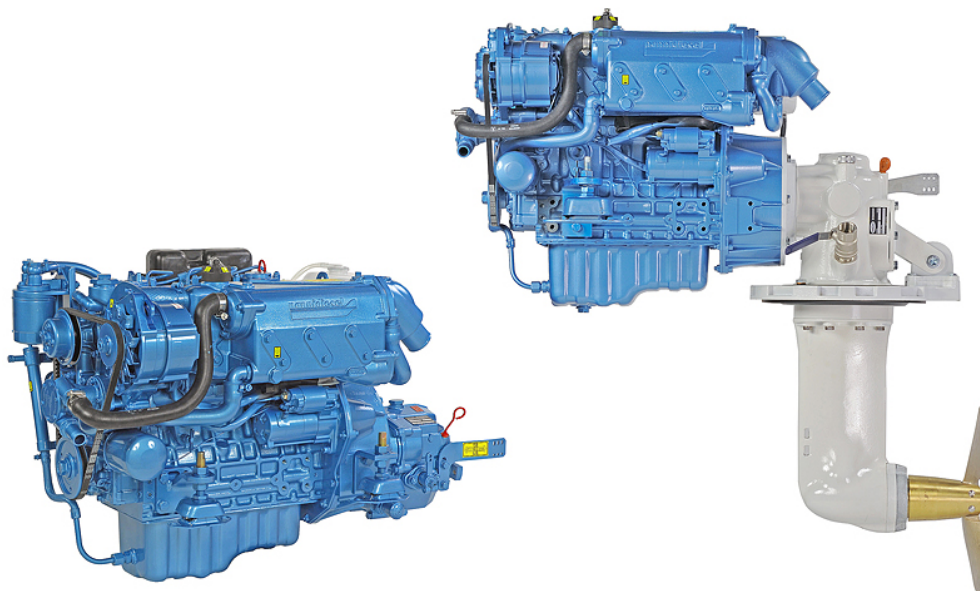


# N4.38

## Specifications



<b>Power at crankshaft</b>	27.6 kW [37.5 hp]
<b>Displacement</b>	1.498 l [91 in <sup>3</sup> ]
<b>Configuration</b>	4 cylinders in line
<b>Operation type</b>	4 stroke Diesel
<b>Bore &amp; Stroke</b>	78 x 78.4 mm [3.07 x 3.09 in]
<b>Compression ratio</b>	23:1
<b>Rated speed</b>	3000 rpm
<b>Idle speed</b>	850 rpm
<b>Peak torque</b>	96 Nm
<b>Peak torque speed</b>	2200 rpm
<b>Dry weight</b>	
with Sail Drive SP60	184 kg [405 lb]
with TTMC35A	152 kg [335 lb]

<b>Engine base</b>	Kubota
<b>Fuel system</b>	Mechanical indirect injection
<b>Air intake</b>	Natural
<b>Cooling</b>	Closed cooling with heat exchanger
<b>Mounting angle</b>	15° Front up 15° Front down
<b>Alternator</b>	12 Volt 100 Amp
<b>Rating</b>	M4
<b>Emission compliance</b>	EPA marine Tier 3 RCD 94/25/EC BSO 2

# N4.38

27.6 kW [37.5 hp] @ 3000 rpm

## TECHNICAL DESCRIPTION

### Engine block

- 4 cylinders in line
- Gear-driven valve train
- Watercooled exhaust manifold

### Fuel system

- Mechanical governor
- Cam driven in-line injection pump
- Fuel feed pump with hand primer
- Fuel filter

### Lubrication system

- Replaceable full-flow oil filter
- Oil dipstick
- Oil drain pump

### Cooling system

- Closed cooling with heat exchanger
- Gear driven self-priming raw water pump
- Coolant circulating pump
- Water cooled exhaust elbow

### Electrical system & Instrumentation

- 12V Electrical system
- 12V 100A alternator
- Electric starter motor
- Electric stop function
- Instrumentation panel, including Start/Stop, tachometer & alarms
- Extension cable harness with plug-in connection

### Air intake

- Mounted air cleaner

### Other features

- Flexible engine mounting
- Bracket for control cables

### Optional equipment & accessories

- Keel cooling adaptation
- Complete marine propulsion systems
- Throttle and shift controls
- Additional instrumentation, Flying bridge extension harness
- Polyester frame (for Sail Drive version)
- Engine mounting adaptation
- Two pole electrical system
- Water boiler systems
- Stuffing box connections
- Complete fuel systems
- Complete exhaust systems
- SOLAS approved version
- 24V Electrical system

## RATING

- Up to 3000 annual operating hours
- Load factor up to 40%
- Full power for no more than 1 hour out of each 12 hours of operation. The remaining operation time must be at or below cruising speed

## TRANSMISSIONS

### Shaft line

- TMC60
- TTMC35A
- TTMC35P
- ZF12
- ZF12M
- ZF25A

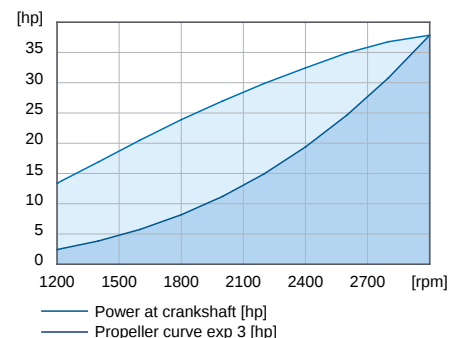
### Sail Drive

- SP60

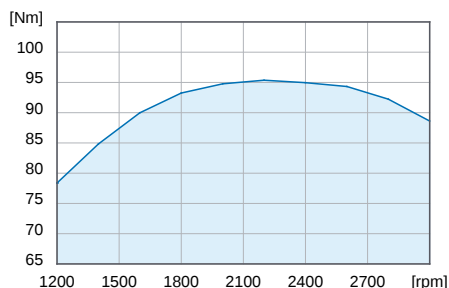
Contact your local dealer for more details and availability for transmission model and type.

## PERFORMANCE CURVES

### Power at crankshaft

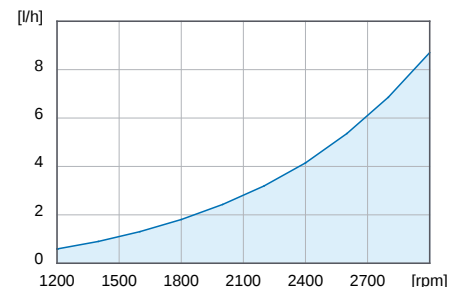


### Torque at crankshaft

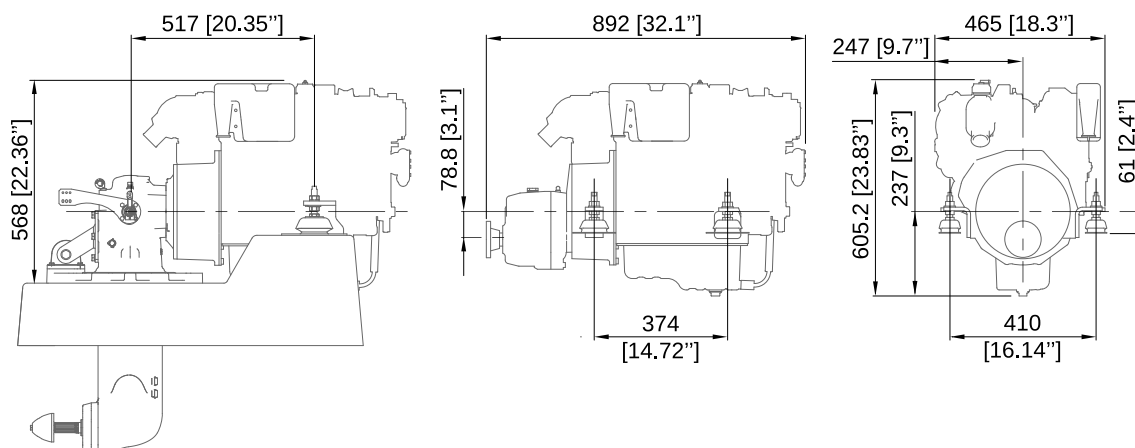


### Fuel consumption

At calculated propeller load exp 3



## DIMENSIONS WITH SP60 / TMC60



### Nanni Industries S.A.S. France

11, Avenue Mariotte - Zone Industrielle  
33260 La Teste - France  
Tel: +33 (0)5 56 22 30 60  
Fax: +33 (0)5 56 22 30 79

### Nanni Trading S.R.L

Via Degli Olmetti, 5/B  
00060 Formello (RM) - Italia  
Tel: +39 (0)6 30 88 42 51/52/53  
Fax: +39 (0)6 30 88 42 54

Technical data according to ISO 8665. Specifications are subject to change without notice. Images and illustrations may show non standard equipments. All combination of equipment & accessory are not available.

150715-ENG