

**easYgen-3100XT/3200XT**


## Genset Control for Multiple Unit Operation

### DESCRIPTION

Woodward raised the standard in genset paralleling control and power management system with the easYgen-3000XT Series controllers. These controllers come with standardized software that is simple to configure, yet easily customized for individual applications. Enhanced connectivity enables fast and secure interfacing to other controls and communications systems while the improved hardware is a drop-in replacement for previous generation easYgen-3000 Series Controls.

The easYgen-3000XT Series controllers operate gen-sets of all sizes and applications. These controllers include specifically designed algorithms and logic to start, stop, control, and protect the genset, circuit breaker and the utility, where applicable. It allows standardizing on a single, affordable genset controller for distributed power generation applications. The applications can range from single stand-alone emergency backup power to parallel load sharing of multiple gen-sets in complex, segmented distribution systems with multiple utility feeds and tie breakers. Woodward's easYgen-3000XT Series paralleling genset controllers provide exceptional versatility and value for OEM switchgear builders, generator packagers, and system integrators.

The easYgen-3200XT is suitable for isolated operation of a single genset or load sharing of up to 32 gen-sets in islanded and/or parallel operation with a single utility. It combines complete engine-generator control and protection with advanced, peer-to-peer paralleling functionality and innovative features in a robust, attractive, user-friendly and all-in-one package. Its integrated LogicsManager™ and AnalogManager programmable logic functionalities provide outstanding application flexibility and can often eliminate the need of an additional PLC control, yet can easily integrate with SCADA or PLC-based control systems where desired.

The easYgen-3200XT also comes without a display in a rugged metal housing suitable for back panel installations. A sophisticated touch screen remote panel (RP-3000XT) complements it as operator control panel. A version of easYgen-3200XT (easYgen-3200XT-P1-LT) is designed to operate down to -40° C for outdoor applications.

Easy-to-use software tools simplify configuring the easYgen-3000XT Series controllers while making it easy to customize the unit for specific applications. These tools include:

**FlexApp™** – This feature provides the tools to easily configure the number of operated breakers: None, Generator Circuit Breaker (GCB), and Mains Circuit Breaker (MCB).

**LogicsManager™ & AnalogManager™** (LM & AM) – Woodward's LM/AM enables to customize the operation sequences and adapt them to specific needs. The LM/AM accomplishes this by handling a range of measuring values and internal states, which are combined logically with operators and programmable timers and can be cascaded through. This enables to create and/or modify control and relay functions.

**FlexIn™** – The analog inputs are configurable to operate with variable resistance sensors (0 to 2000 Ω), (0 to 1V) and/or 0 to 20 mA senders.

**Flexible Outputs** – Speed and voltage bias outputs are configurable to function with all speed governors and voltage regulators. The outputs can also be used as freely scalable outputs (e.g. for driving external meters).

**FlexCAN™** – Advanced network interfaces ensure unsurpassed control performance – from engine control up to total plant operation. The easYgen-3000XT Series is capable of working with common industrial interfaces, including Ethernet, CAN, USB, and RS-485. The multiple communication protocols permit the easYgen-3000XT Series controls to communicate with a vast majority of engine control units (ECUs), external I/O boards, and PLCs. Modbus TCP, CANopen, SAE J1939, and Modbus RTU are supported.

**DynamicsLCD™** – The adaptive and interactive 5.7", 320x240 pixel sharp color graphical LCD display with soft keys and a clear menu structure ensures intuitive user operation and navigation. Customizable screens provide flexibility to program and visualize frequently used data at the press of a button. The face plate with special technology and illuminated buttons enhances the aesthetics and ergonomics of push button operation.

#### New Features

- ✓ Ethernet Connectivity
- ✓ AnalogManager
- ✓ Power Measurement Class 1
- ✓ Editable Screens
- ✓ Multiple interface ToolKit connectivity
- ✓ New face plate with dedicated buttons
- ✓ Drop-In replacement

- **Standard paralleling applications for up to 32 generators in**
- **Peak shaving operation**
- **Stand-by operation**
- **AMF (Automatic Mains Failure) operation**
- **Emergency operation**
- **Import/Export operation**
- **Islanded & Utility parallel operation**
- **Easy to set up and commission**
- **Master or Slave control capability**
- **Complete engine, generator and utility protection**
- **Open/Closed Transition**
- **Five communication ports: Ethernet, 2xCAN (CANOpen and J1939), RS-485, USB**
- **Customizable logic, HMI screens, and alarms**
- **Dedicated low temperature display variants**
- **RoHS2 and marine (ABS, LR) compliance**

# FEATURES

- Three-phase true RMS power sensing with Class I accuracy
- Operation modes: AUTO, STOP, MANUAL, and TEST modes accessible through face plate or discrete input
- Breaker control: Slip frequency/phase matching synchronization, open/close control, breaker monitoring
- Load transfer: open/closed transition, interchange, soft loading/unloading, Utility parallel
- Load share and device to device communication over Ethernet or CAN
- Remote control via interface (Modbus TCP, Modbus RTU) and via discrete/analog inputs for adjusting speed, frequency, voltage, power, reactive power, and power factor set points
- Freely configurable PID controllers for various control purposes, such as heating circuit control (CHP applications), water level, fuel level, pressure and/or other process values
- Direct support to several ECUs: Scania S6, MTU ADEC ECU7/8, Volvo EMS2 & EDC4, Deutz EMR2 & EMR3, MAN MFR/EDC7, SISU EEM, Cummins and Woodward EGS02 ECU
- Field ECU support and additional I/O expansion board connectivity through sequencer files
- “System Update” function for removing or adding generator sets online
- Time/Date synchronization over Simple Network Time Protocol (SNTP)
- Cylinder head/exhaust temperature monitoring (Temperatures come from J1939 or CANopen devices)
- Woodward ToolKit™ software for flexible setup from a single connection to the network. The ToolKit can be accessed either via USB, or Ethernet or CAN port.
- Multi-lingual capability: English, German, Spanish, French, Italian, Portuguese, Japanese, Chinese, Russian, Turkish, Polish, Slovakian, Finnish, Swedish

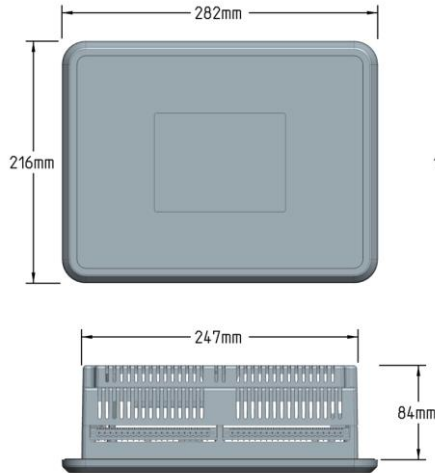
# SPECIFICATIONS

Power supply	12/24 V <sub>DC</sub> (8 to 40 V <sub>DC</sub> )
Intrinsic consumption	max. 14 W (LT: max.22W)
Ambient temperature (operation)	-20 to 70 °C (LT: -40 to 70 °C)
Ambient temperature (storage)	-30 to 80 °C / -22 to 176 °F
Ambient humidity	95%, non-condensing
<b>Voltage (software configurable)</b>	( $\Delta$ / $\Delta$ )
100 Vac Rated (V <sub>rated</sub> )	69/120 V <sub>AC</sub>
Max. value (V <sub>max</sub> )	86/150 V <sub>AC</sub>
<b>and 400 Vac</b> Rated (V <sub>rated</sub> )	277/480 V <sub>AC</sub>
Max. value (V <sub>max</sub> )	346/600 V <sub>AC</sub>
Rated surge volt. (V <sub>surge</sub> )	4.0 kV
Accuracy	Class 0.5
Measurable alternator windings	3p-3w, 3p-4w, 3p-4w OD, 1p-2w, 1p-3w
Setting range	primary 50 to 650,000 V <sub>AC</sub>
Linear measuring range	1.25×V <sub>rated</sub>
Measuring frequency	50/60 Hz (40 to 85 Hz)
High Impedance Input; Resistance per path	2.0 M $\Omega$
Max. power consumption per path	< 0.15 W
<b>Current (Isolated, software configurable)</b>	Rated (I <sub>rated</sub> ) 1A or 5A
Linear measuring range	I <sub>gen</sub> = 3.0×I <sub>rated</sub> I <sub>mains/ground</sub> = 1.5×I <sub>rated</sub>
Setting range	1 to 32,000 A
Burden	< 0.10 VA
Rated short-time overcurrent (1 s)	[1] 50×I <sub>rated</sub> , [5] 10×I <sub>rated</sub>
Accuracy	Class 0.5
<b>Power</b>	
Setting range	0.5 to 99,999.9 kW/kvar
Accuracy	Class 1.0
<b>Discrete inputs</b>	isolated
Input range	12/24 V <sub>DC</sub> (8 to 40 V <sub>DC</sub> )
Input resistance	approx. 20 kOhms

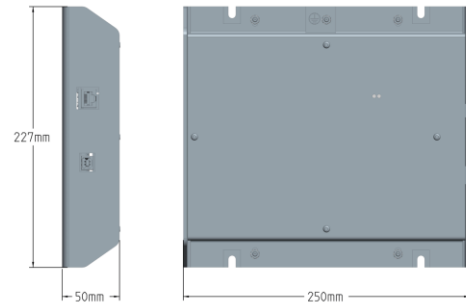
<b>Relay outputs</b>	isolated
Contact material	AgCdO
Load (GP)	2.00 A <sub>AC</sub> @250 V <sub>AC</sub> 2.00 A <sub>DC</sub> @24 V <sub>DC</sub> / 0.36 A <sub>DC</sub> @125 V <sub>DC</sub> / 0.18 A <sub>DC</sub> @250 V <sub>DC</sub>
<b>Analog inputs (isolated)</b>	freely scalable
Type	0 to 1V / 0 to 2000 Ohms / 0 to 20 mA
Resolution	16 Bit
<b>Analog outputs (isolated)</b>	freely scalable
Type	± 10 V / ± 20 mA / PWM
Insulation voltage (continuously, AVR out)	300 V <sub>AC</sub>
Insulation voltage (continuously, Gov out)	100 V <sub>AC</sub>
Resolution	12 Bit
± 10 V (scalable)	internal resistance
± 20 mA (scalable)	maximum load 500 Ohms
<b>Housing</b> Front panel flush mounting	Plastic housing
Dimensions WxHxD	282 × 216 × 96 mm
Front cutout WxH	249 [+1.1] × 183 [+1.0] mm
Connection	screw/plug terminals 2.5 mm <sup>2</sup>
Front	insulating surface
Sealing	Front IP66 (with screw fastening) Front IP54 (with clamp fastening) Back IP20
Weight	approx. 1,850 g
<b>Housing</b> Back panel mounting	Powder Coated Sheet metal housing
Dimensions WxHxD	250 × 227 × 50 mm
Connection	screw/plug terminals 2.5 mm <sup>2</sup>
Protection system	IP 20
Weight	approx. 2,150 g
<b>Disturbance test (CE)</b>	tested according to applicable IEC standards
<b>Listings</b>	CE, UL, EAC, VDE; pending: CSA, BDEW
<b>Marine (Pending)</b>	LR (Type Approval), ABS (Type Approval)

# DIMENSIONS

## Plastic housing for front panel mounting



## Metal housing for cabinet mounting



# TERMINAL DIAGRAM

Mains Gnd Current AC 1 A   5 A		Generator Current AC 1 A   5 A						Analog Inputs 0 to 2 kOhm   0/4 to 20 mA   0 to 1 V						Analog Outputs ±10 Vdc   ±20 mA   PWM					
L1	s2	L1	s1	L2	s2	s1	L3	s2	s1	AI 01	AI 02	AI 03	Engine Ground	Speed AO 01	Voltage AO 02	NC	NC		
-	+	-	+	-	+	-	+	-	+	-	+	-	+	+	-	+	-		
1	2	3	4	5	6	7	8	9	10	11	12	13	14	15	16	17	18	19	20

Mains Voltage AC 120 V   480 V ph-ph								Generator Voltage AC 120 V   480 V ph-ph								Busbar Voltage AC 120 V   480 V ph-ph					
NC	L1	NC	L2	NC	L3	NC	N	NC	L1	NC	L2	NC	L3	NC	N	NC	L1	NC	L2	NC	N
21	22	23	24	25	26	27	28	29	30	31	32	33	34	35	36	37	38	39	40	41	42

60	59	58	57	56	55	54	53	52	51	50	49	48	47	46	45	44	43	42	41				
Relay Outputs																							
R12		R11		R10		R09		R08		R07		R06		R05		R04		R03		R02		R01	

MPU		Discrete Inputs														Common DI		Auxiliary Excitation D+		Power Supply		NC		*
-	+	DI12	DI11	DI10	DI09	DI08	DI07	DI06	DI05	DI04	DI03	DI02	DI01	66	65	64	63	62	61					
80	79	78	77	76	75	74	73	72	71	70	69	68	67	66	65	64	63	62	61					

\* pin 61  
 easYgen-3100XT-P1: No connection  
 easYgen-3200XT-P1: Protective earth

# RELATED PRODUCTS

- Engine Speed Control **actiVgen** (Product Specification # 03419): P/N 8440-2108
- Remote Panel **RP-3000XT** (Product Specification # 37592)
- **ToolKit** (Product Specification # 03366)
- I/O Expansion Board **IKD1** (Product Specification # 37171)
- Load Share Gateway **LSG** (Product Specification # 37451)
- Electronic Pickup Unit **EPU-100** (Product Specification # 37562)
- CANbus based Remote Annunciator (Product Specification # 37279): **easYlite 100** P/N 8446-1023
- **Power Generation Learning Module** (Product Specification # 03412): P/N 8447-1012
- Profibus Gateway (Application Note # 37577): **ESEPRO** P/N 8445-1046
- Ethernet (Modbus/TCP) Gateway (Application Note # 37576): **ESENET** P/N 8445-1044
- CANbus to Fiber Optic Converters (Application Note # 37598):  
**DL-CAN** P/N 8445-1049 and **DL-CAN-R** P/N 8445-1048
- Remote Access Gateway (with HMS **Netbiter** EasyConnect **EC250** and **EC350**)
- Thermocouple Scanner (**AXIOMATIC AXTC20**)

**CONTACT**
**North & Central America**

Tel.: +1 970 962 7331  
 ✉ [SalesPGD\\_NAandCA@woodward.com](mailto:SalesPGD_NAandCA@woodward.com)

**South America**

Tel.: +55 19 3708 4800  
 ✉ [SalesPGD\\_SA@woodward.com](mailto:SalesPGD_SA@woodward.com)

**Europe**

Tel. Stuttgart: +49 711 78954 510  
 Tel. Kempen: +49 2152 145 331  
 ✉ [SalesPGD\\_EUROPE@woodward.com](mailto:SalesPGD_EUROPE@woodward.com)

**Middle East & Africa**

Tel.: +971 2 6275185  
 ✉ [SalesPGD\\_MEA@woodward.com](mailto:SalesPGD_MEA@woodward.com)

**Russia**

Tel.: +7 812 319 3007  
 ✉ [SalesPGD\\_RUSSIA@woodward.com](mailto:SalesPGD_RUSSIA@woodward.com)

**China**

Tel.: +86 512 8818 5515  
 ✉ [SalesPGD\\_CHINA@woodward.com](mailto:SalesPGD_CHINA@woodward.com)

**India**

Tel.: +91 124 4399 500  
 ✉ [SalesPGD\\_INDIA@woodward.com](mailto:SalesPGD_INDIA@woodward.com)

**ASEAN & Oceania**

Tel.: +49 711 78954 510  
 ✉ [SalesPGD\\_ASEAN@woodward.com](mailto:SalesPGD_ASEAN@woodward.com)

[www.woodward.com](http://www.woodward.com)

Subject to alterations, errors excepted.

Subject to technical modifications.

This document is distributed for informational purposes only. It is not to be construed as creating or becoming part of any Woodward Company contractual or warranty obligation unless expressly stated in a written sales contract.


We appreciate your comments about the content of our publications. Please send comments including the document number below to [stgt-doc@woodward.com](mailto:stgt-doc@woodward.com)

© Woodward

**All Rights Reserved**

For more information contact:  
 Governor Control Systems, Inc.  
 3101 SW 3rd AVENUE  
 FORT LAUDERDALE, FL 33315  
 954-462-7404  
[www.govconsys.com](http://www.govconsys.com)

# FEATURES OVERVIEW

	Model Package	easYgen-3000XT Series		
		3100XT P1	3200XT P1	3200XT P1-LT
<b>Measuring</b>				
Generator voltage (3-phase/4-wire)		✓	✓	✓
Generator current (3x true r.m.s.)		✓	✓	✓
Mains voltage (3-phase/4-wire)		✓	✓	✓
Mains or ground current (1x true r.m.s.; Mains or ground current selectable)		✓	✓	✓
Busbar voltage (1-phase/2-wire)		✓	✓	✓
<b>Control</b>				
Breaker control logic (open and closed transition)	<i>FlexApp™</i>	2	2	2
Automatic, Manual, Stop, and test operating modes		✓	✓	✓
Single and multiple-unit operation		✓	✓	✓
Mains parallel multiple-unit operation (up to 32 units)		✓	✓	✓
AMF (auto mains failure) and stand-by operation		✓	✓	✓
Critical mode operation		✓	✓	✓
GCB and MCB synchronization (slipping / phase matching)		✓	✓	✓
Import / export control (kW and kvar)		✓	✓	✓
Load-dependent start/stop		✓	✓	✓
n/f, V, P, Q, and PF control via analog input or interface		✓	✓	✓
Load/var sharing for up to 32 gensets		✓	✓	✓
Freely configurable PID controllers		3	3	3
<b>HMI</b>				
Color Display with Softkey operation	<i>DynamicsLCD™</i>	-	✓	✓
Start/stop logic for diesel / gas engines		✓	✓	✓
Counters for operating hours / starts / maintenance / active/reactive energy		✓	✓	✓
Configuration via PC (serial connection and ToolKit software (included))		✓	✓	✓
Event recorder entries with real time clock (battery backup)		300	300	300
Operating Temperature		-40 to 70 °C	-20 to 70 °C	-40 to 70 °C
<b>Protection</b> ANSI#				
Generator: voltage / frequency	59 / 27 / 81O / 81U	✓	✓	✓
Generator: overload, reverse/reduced power	32 / 32R / 32F	✓	✓	✓
Generator: unbalanced load	46	✓	✓	✓
Generator: instantaneous overcurrent	50	✓	✓	✓
Generator: time-overcurrent (IEC 255 compliant)	51 / 51 V	✓	✓	✓
Generator: ground fault (measured ground current)	50G	✓	✓	✓
Generator: power factor	55	✓	✓	✓
Generator: rotation field		✓	✓	✓
Engine: overspeed / underspeed	12 / 14	✓	✓	✓
Engine: speed / frequency mismatch		✓	✓	✓
Engine: D+ auxiliary excitation failure		✓	✓	✓
Engine: Cylinder temperature		✓	✓	✓
Mains: voltage / frequency	59 / 27 / 81O / 81U	✓	✓	✓
Mains: phase shift / rotation field / ROCOF (df/dt)	78	✓	✓	✓
<b>I/Os</b>				
Speed input: magnetic / switching; Pickup		✓	✓	✓
Discrete alarm inputs (configurable)		12 (10)	12 (10)	12 (10)
Discrete outputs, configurable	<i>LogicsManager™</i>	max. 12	max. 12	max. 12
External discrete inputs / outputs via CANopen		32 / 32	32 / 32	32 / 32
Analog inputs #1: configurable	<i>FlexIn™</i>	3	3	3
Analog outputs: +/- 10V, +/- 20mA, PWM; configurable		2	2	2
External analog inputs / outputs via CANopen		16/4	16/4	16 / 4
Display and evaluation of J1939 analog values, "supported SPNs"		100	100	100
CAN bus communication interfaces #2	<i>FlexCAN™</i>	2	2	2
Ethernet Modbus TCP Slave interface		1	1	1
USB Serial interface		1	1	1
RS-485 Modbus RTU Slave interface		1	1	1
<b>Listings/Approvals</b>				
UL / cUL Listing (61010, 6200), VDE, EAC		✓	✓	✓
CSA (USA and Canada), BDEW (Pending)		✓	✓	✓
LR & ABS Marine (Pending)		✓	✓	✓
CE Marked		✓	✓	✓
<b>Part Numbers</b>				
Front panel mounting with display #3		-	8440-2082	8440-2083
Cabinet back mounting w/o display		8440-2081	-	-
Spare connector kit		8923-1314	8923-1314	8923-1314

#1 selectable senders: VDO (0 to 180 Ohm, 0 to 5 bar), VDO (0 to 180 Ohm, 0 to 10 bar), VDO (0 to 380 Ohm, 40 to 120°C), VDO (0 to 380 Ohm, 50 to 150°C), Pt100, Pt1000, resistive input (one- or two-pole, 2pt. linear or 9pt. user defined)  
 #2 CAN#2 freely selectable during configuration between CANopen or J1939; please feel free to request more information  
 #3 a screw and a clamp kit are delivered with the unit for fastening