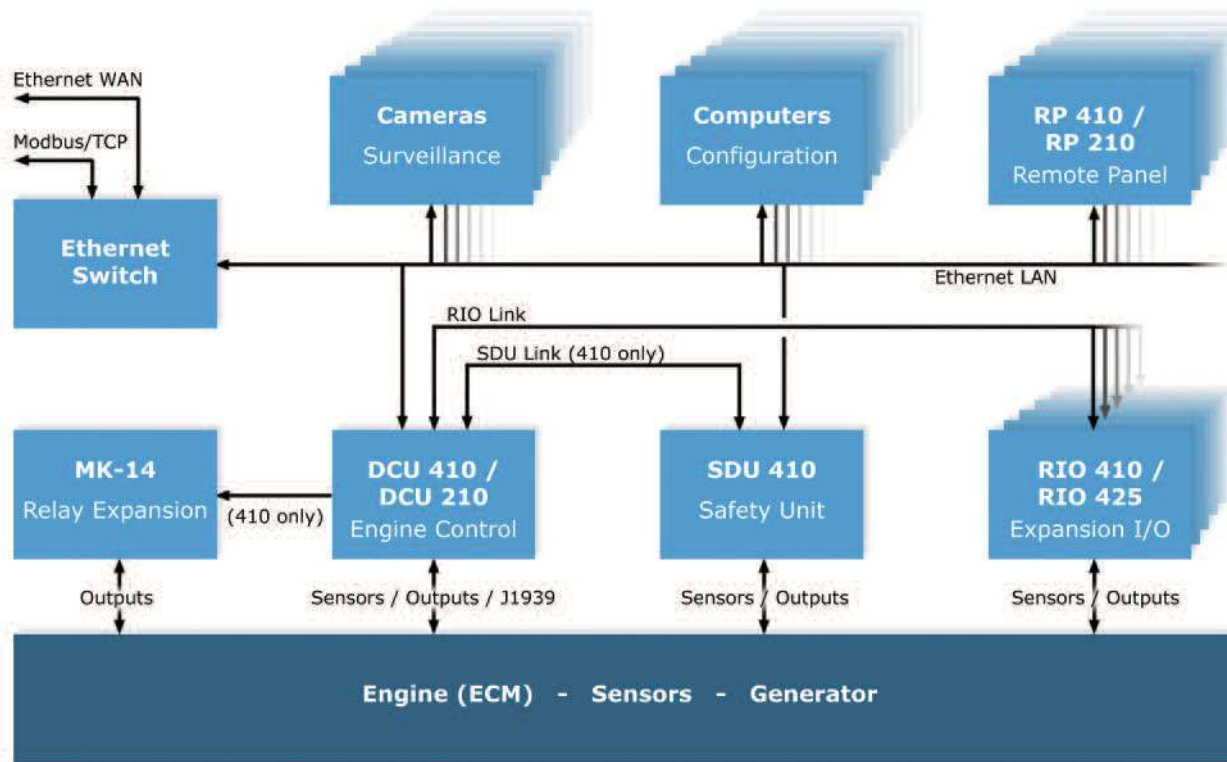


### At a glance

- One USB port
- Provision for dual, auto switching, power supplies
- 8 channels for Configurable switch inputs
- 4 channels configurable for 4-20mA INPUTS
- 4 channels configurable for PT100 INPUTS
- 4 Configurable 24V outputs
- 2 Configurable relay outputs
- J1939 CANbus and CANopen interfaces
- Data port outputs for Ethernet and Modbus TCP or RTU

### Why customers select the DCU 408

- Reduced cost in unattended engine spaces requiring no local panel
- Single Ethernet cable and switch connectivity to a remote panel
- 11 languages changeable by one button at any station
- Accepts multiple sensor standards
- Expandable using RIO Modules
- Intuitively configurable using an Internet browser
- No special tools or cables required
- Provides programmable engine control logic
- Dedicated hardwired connections for critical engine functions
- Classification Society Type Approved by 7 IACS members



## Features and Benefits

### Same hardware for many applications

- Can hold over 40 customer selectable configuration files
- Connectable to multiple engine types and or ships systems
- Suitable for fixed and variable speed applications
- Multiple standard I/O's available

### No specialist skills for startup or installation

- Pre printed connection function on units
- Simple connectivity – no special tools, web browser only software required
- Pre loaded configurations to meet Class rules

### Ability to communicate with whole ship systems

- Ethernet connectivity means plug and play within global standards
- Simple two wire communication via Modbus to Marine Pro I/O expansion modules
- Affordable expandability to create a small ships alarm system

### Accountability

- Historical event and alarm list
- Presents multiple data sources to a single point
- Engine faults in real text (where engine equipped)
- Links easily to Ships management or remote telemetry systems

## Technical and Production

Auto-Maskin AS  
 Sophie Radichs vei 7  
 NO-2003 Lillestrøm, Norway  
 Tel.: +47 64 84 52 00  
 Fax: +47 64 84 52 12  
 E-mail: office@auto-maskin.com  
 Web: www.auto-maskin.com

## Ordering Info

Item	Part Number
DCU 410	1006450
DCU 408	1006455
SDU 410	1006451
RIO 410	1006453
RIO 425	1006457
RP 410	1006452
MK-14	1121252